

# CabCube<sup>®</sup> 3.0

**9 Feet**


1235 x 830 x 954 mm



Technical Data	Bottom support	External Dimensions (mm)	Internal Dimensions (mm)	Maximum Load Capacities (kg)		
				Stacking	Dynamic	Racking
CabCube <sup>®</sup> 3.0 (9F)	9 feet	1235 x 830 x 954	1190 x 785 x 773	1500	500	-




- Benefits**
1. Optimal for stacking stability and fit
  2. Great foldability ratio
  3. Ergonomic design with optimal handling through handles on the lid and easy sleeve attachment
  4. Secured folded unit with protected sleeve
  5. Reinforced feet for maximum impact resistance
  6. Large hatch for easy access to stored goods
  7. Reusable product, 100% recyclable, base and lid made of recycled plastic

- Options**
1. Repairable/interchangeable feet
  2. Two further base options available (3 Runners, 4 Feet)
  3. ESD: conductive
  4. RFID transponders and other IoT options
  5. Customizable sleeve dimensions
  6. Customizable sleeve design
  7. Individual marking and labeling

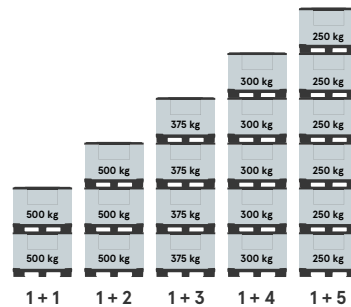
# CabCube® 3.0

**9 Feet**

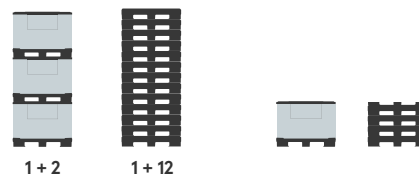

1235 x 830 x 954 mm

Standard Components	Base	Sleeve (optional)	Lid
			
Weight	24,0 kg	9,6 kg	7,7 kg
Material	PE	PP	PE
Dimensions	1235 x 830 x 187 mm	1210 x 805 x 805 mm	1235 x 830 x 69 mm

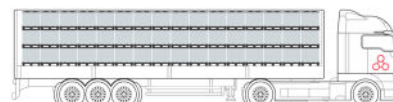
Technical Data	CabCube® 3.0 9 feet
Filling Volume	722 l
Height of folded box	239 mm
Nesting Space	26 mm
Weight	41 kg
Entries	4 way
Sleeve Thickness	10 mm
Sleeve Density	3000 gr/m <sup>2</sup>

**Stacking scenarios**


Maximum Load Capacities	
Filling weight	500 kg
Stacking load	1500 kg
Stacking factor	1+5
Dynamic load	500 kg

**in Mega Truck**
**Return Ratio  
1: 4,3**


Truck Loads	Mega Truck (13,6 x 2,48 x 3,0 m)
unfolded per stack	3
unfolded total	96
folded per stack	13
folded total	416
Return ratio	1: 4,3
Volume reduction	77 %

**Megatrailer utilization**
**Full containers**

**Empty containers**
